

IWR-5

FIVE CHANNEL WIRELESS RECEIVER



The IWR-5 is a five channel receiver designed to pair with the IWPT & IWTT wireless pressure & temperature transducers to form a cost effective replacement of the traditional wired transducers. This offers a low cost solution to inaccessible or expensive installation environments.

The receiver has user selectable voltage or mA outputs corresponding to the calibrated range of the remote Wireless Transducers and 5A rated changeover contacts for alarm functionality.

User channel configuration is possible with the use of the program, IWR-Set, which ensures minimal user set-up time and thus ensures a simple solution to multi-channel pressure & temperature measurement applications. With the standard 0dBI antenna, a line-of-sight range of up to 500 m can be achieved and, using the optional 3dBI antenna, up to 750m (LOS) is achievable.

Features

- Pairs with the IWPT/U & IWTT/U wireless pressure & temperature transducers
- User-selectable 1-5V or 4-20 mA receiver output
- Clean contact output for process, low battery or loss of signal alarm function
- Simple software or DIL switch pairing with IWPT/U & IWTT/U transmitters
- Up to 500 m range, line-of-sight
- 12 to 32 V dc powered
- End-to-end accuracy of $\pm 0.25\%$ FS BFSL
- LED indication of wireless link
- DIN rail or wall mounting kits available
- Single channel receiver available - see data sheet IWR-1

SPECIFICATIONS

Electrical Protection

Outputs (5 Off)*	User selectable 1-5V or 4-20 mA
Alarm Output (1 Off)	5 Amp rated changeover contacts
Receiver Update Rate**	10 seconds as standard
	Alternative user settable rates: - 1, 5, 10 and 30 seconds

*Factory preset is 4-20 mA output

**Consult IWPT/IWTT Installation manual and data sheet for set-up of alternative transmission rates.

Enclosure Specifications

Dimensions	160 mm x 80 mm x 57 mm
Material*	Light grey ABS (RAL7035)
Protection Class	IP65
Weight	255g inc. 0dBI antenna (+12g with 3dBI)
Installation Position**	Any

*Other materials on request.

**Consult Installation Manual to ensure adequate signal path between transmitter and receiver.

Receiver Input

Receiver Frequency*	2.4GHz
System Channel	Standard setting, however user adjustable in multiple instrument systems.
Antenna	Enclosure mounted 0dBi

*Compliant with EN 300 328, V1.8.1

System Performance (@ +20°C)

Accuracy	$\leq \pm 0.25\%$ FS BFSL
Setting Errors (offsets)*	Zero and Full Scale $\leq \pm 0.5\%$ FS

*End-to-end zero tare function available, see user manual.

Instrument Power Source

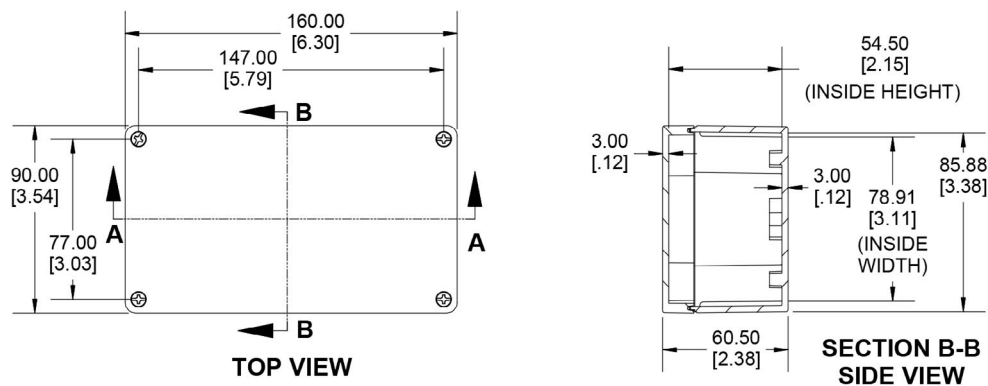
DC Power	12 to 32 Vdc
-----------------	--------------

Temperature Ratings

Operating Temperature	-10°C to +50°C
Storage Temperature	-20°C to +80°C

DIMENSIONS

All dimensions are in millimeters.



ORDERING OPTIONS

Example : IWR-5

Transmitters	See IWPT & IWTT datasheets
Single Channel Receiver	IWR-1
Five Channel Receiver	IWR-5
Five Channel Configuration Software*	IWR-Set
3dBi Antenna (enclosure mount)	IANT-3