

IWR-USB SERIES

WIRELESS TO USB GATEWAY



The IWR-USB Gateway provides a link between wireless sensors and any PC with a USB connection.

A free of charge software package allows monitoring and logging of all the sensors in the wireless network via a standard PC.

The IWR-USB saves the time-stamped data collected in a standard .csv file for easy handling by packages such as Microsoft® Excel®.

Features

- 2.4GHz Wireless to USB Gateway
- Enables easy monitoring of our wireless networks using any PC
- Free of charge monitoring software allows all wireless parameters to be viewed and logged
- Logs data to .csv file



Multiple battery powered sensors transmit data at programmable intervals to a IWR-USB receiver which can then be connected to a standard PC for monitoring and logging the data from the wireless transmitters
Data from up to 128 parameters can be accessed via the IWR-USB receiver

SPECIFICATIONS

Parameter	Min	Typ	Max	Comments
Supply Voltage		5V		Obtains power from USB port
Supply Current (mA)		40		
Operating Ambient	0°C		55°C	
Relative Humidity	0%		90%	
Surge Voltage	2.5kV for 50µS		Transient of 10kV/µS	

Notes: Can be supplied with an external antenna for increased range

Installation Detail

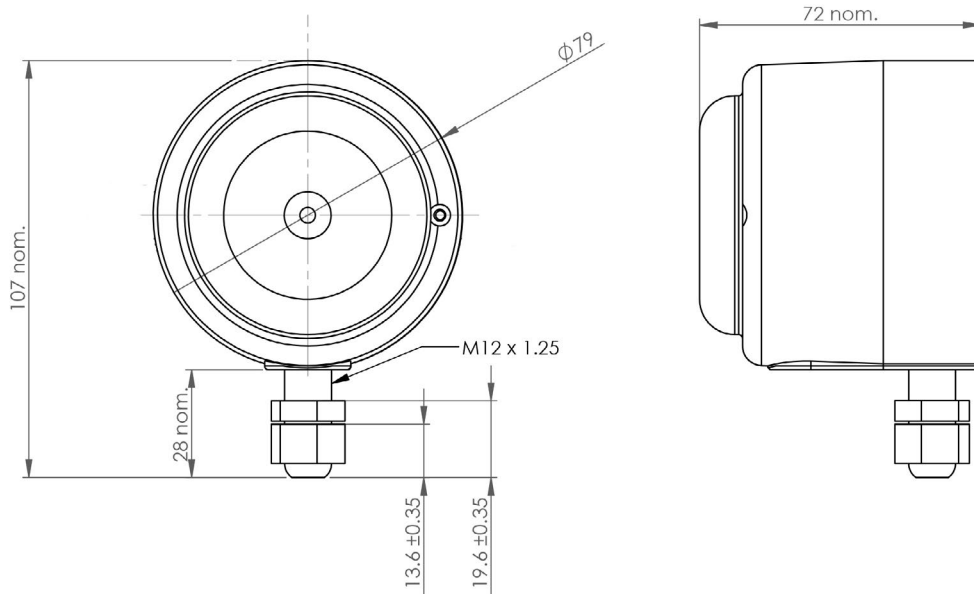
Mounting	Wall mounting
Orientation	Any
Connections	Standard size USB cable
Power Supply	From USB port
Weight	Approx 120g

ORDERING OPTIONS

Part Number	Description
IWR-USB	With internal antenna
IWR-USB-ANT	With external female SMA connector & 5dBi antenna

DIMENSIONS

All dimensions are in millimeters.



Made in the UK